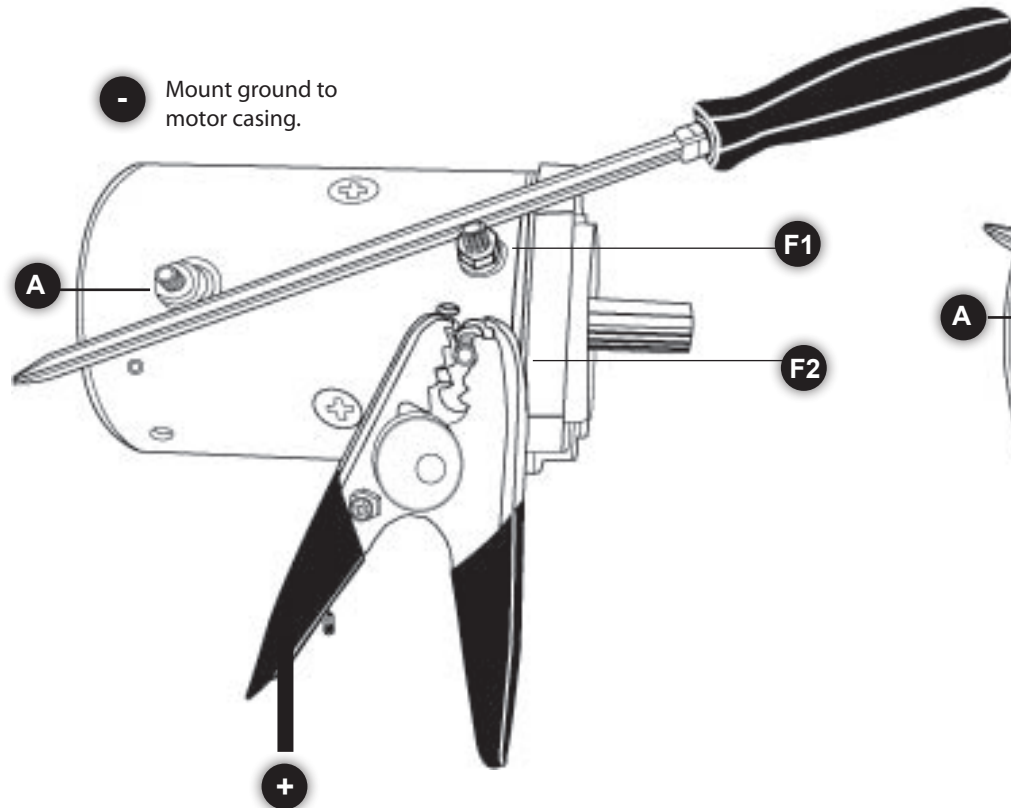


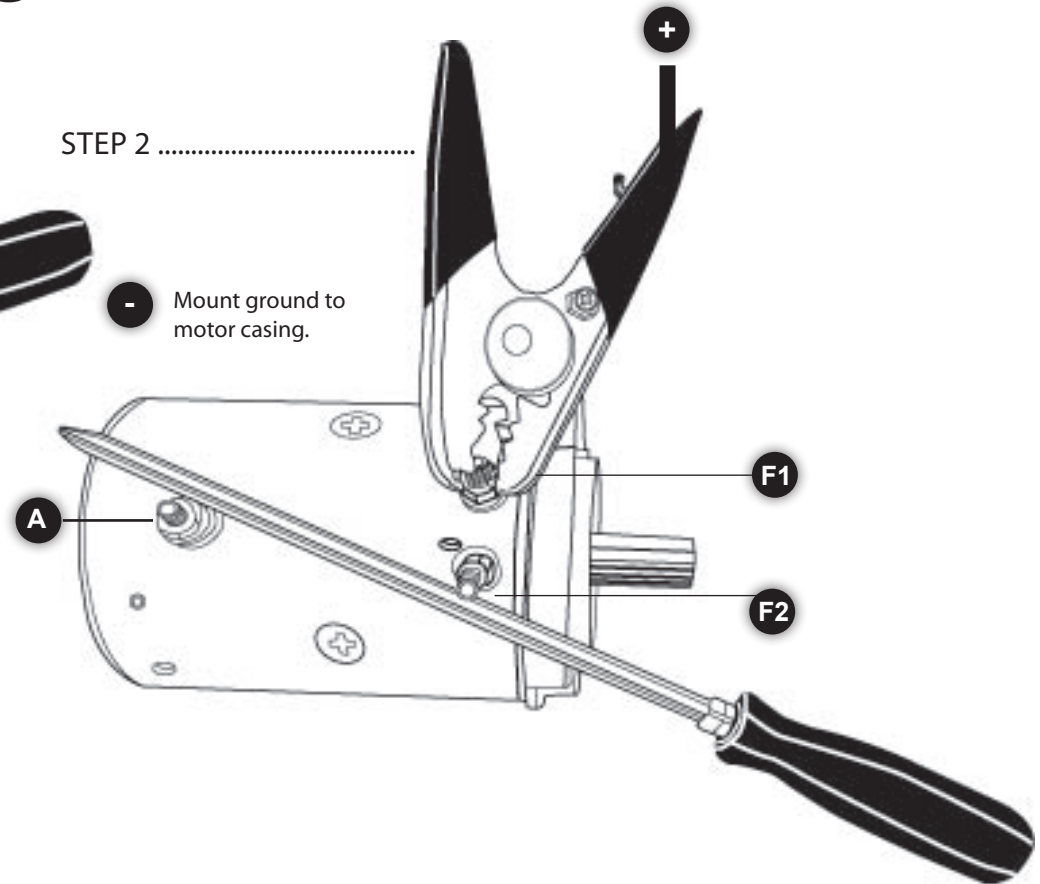
# Motor Test Procedure

THREE POST MOTOR on PS9000, PS12000, PS654 SERIES WINCHES

STEP 1 .....



STEP 2 .....




## INSTRUCTIONS

STEP 1: Remove any wires connected to A, F1 and F2. Connect terminal A to F2 with a screwdriver.

STEP 2: Apply power to F2. NOTE: The motor must be grounded to the motor casing not the electrical terminals. Connect terminal A to F1 with a screwdriver.

STEP 3: Apply power to F1.

- Ground
- +** 12V
- F1** Field 1
- F2** Field 2
- A** Armature

<p>PROCEDURE DESCRIPTION</p> <p>This chart depicts the motor test procedure if your motor is not spinning, spinning slowly, smoking or sparking. Use one screwdriver and jumper cables for this procedure.</p>		 <p><b>Pierce Arrow Inc.</b> Manufacturing recovery equipment and winches since 1976.</p>
<p>CATEGORY</p> <p><b>MOTOR</b></p>		
<p>PRODUCT DESCRIPTION</p> <p><b>THREE POST MOTOR on PS9000, PS12000, PS654 SERIES WINCHES</b></p>		<p>PART NUMBER</p>
<p>CONTACT</p> <p>Pierce Arrow Inc. 549 U.S. HWY 287 S. Henrietta, TX 76365 www.piercearrow.us 1-800-658-6301</p>		<p>CONTACT</p>