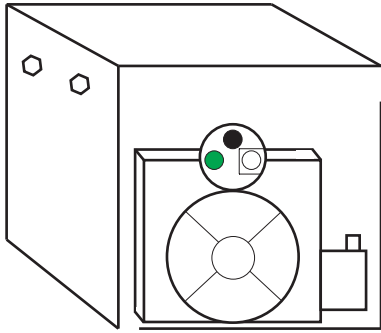
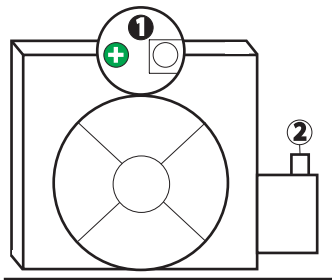


HOW TO INSTALL YOUR PIERCE WIRED REMOTE



STEP 1:

Remove the pump cover by unbolting the two 9/16" bolts with a 9/16" wrench or socket.

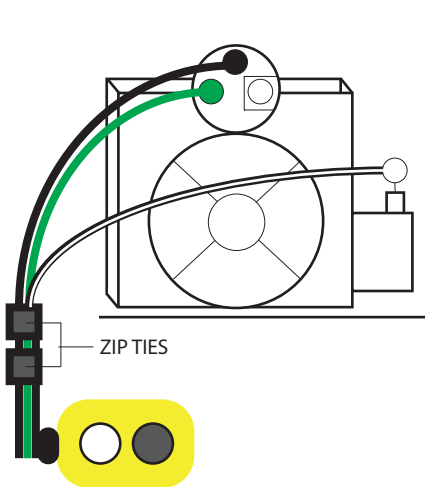


STEP 2:

Wire remote to the pump.

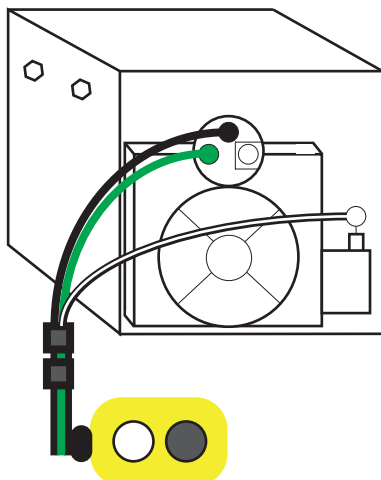
- +** 12V (green)
- 1** STARTER SOLENOID (black)
- 2** COIL (white)

NOTE: the red wire is not used



STEP 3:

Secure the remote wire to the power wire using zip ties.



STEP 4:

Reinstall the pump cover with the 9/16" wrench / socket.

Need help?
Call PIERCE at 940-538-5643